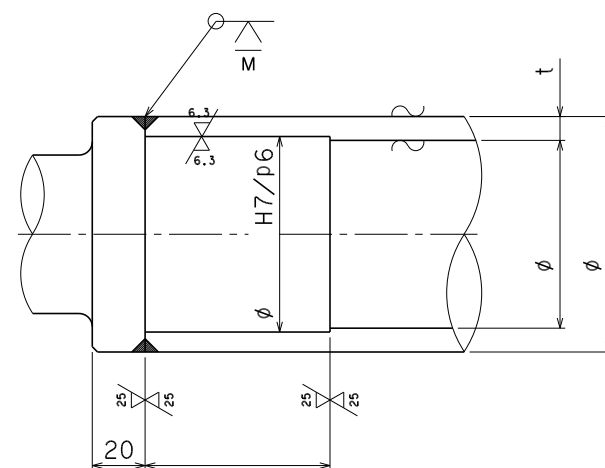
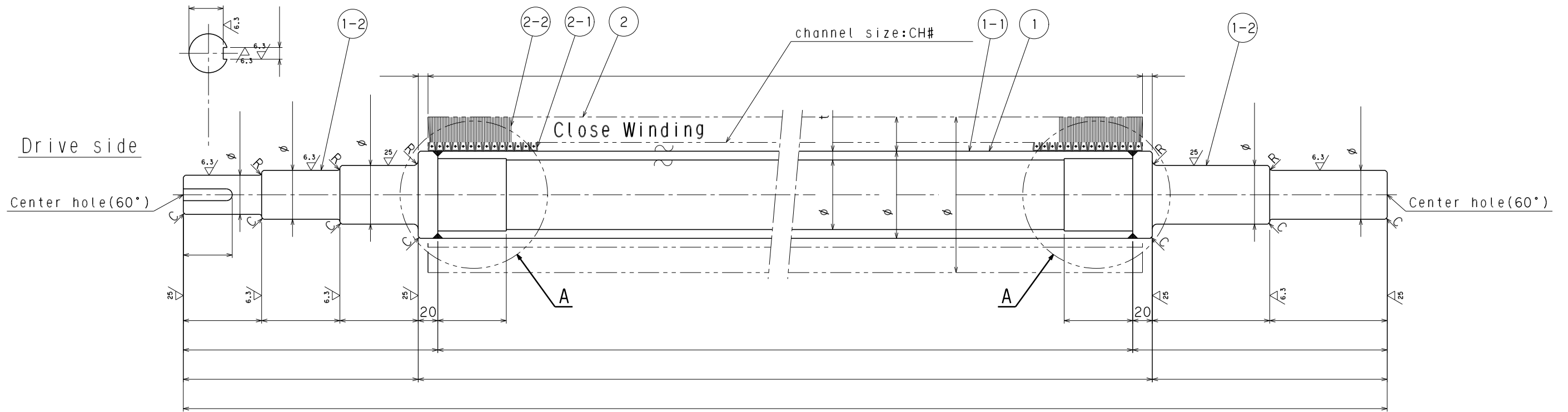


SURFACE ROUGHNESS				
Ra	25	6.3	1.6	0.2
Rmax	100S	25S	6.3S	0.8S

REV.	DATE	NOTE	DRW.



DETAIL-A

2-2	BRISTLE	1set			
2-1	CHANNEL	1set			CH#
2	BRUSH	1set			
1-2	JOURNAL	2			
1-1	PIPE	1			seamless
1	SHAFT	1			
PARTS No.	PARTS NAME	Q'TY (PER SET)	MATERIAL	WEIGHT (kg)	REMARKS

APPROVED		CUSTOMER:			
CHECKED		TITLE SK Type Channel Roll Brushes (Close Winding/Pipe Shaft/Drive side 3-stepped)			
DRAWN		SCALE NTS		DRAWING No.	
DATE		SHOWA INDUSTRIES CO.,LTD.			

