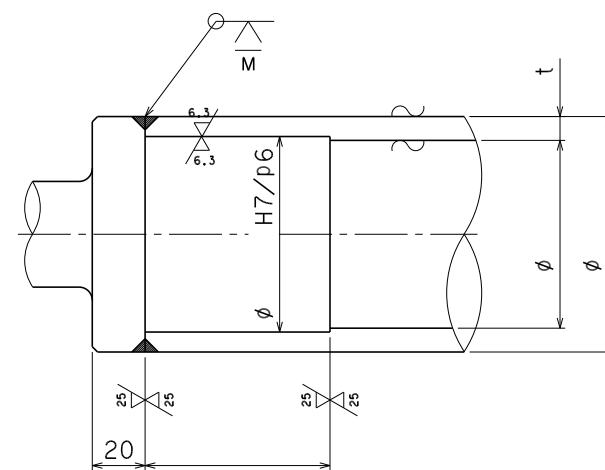
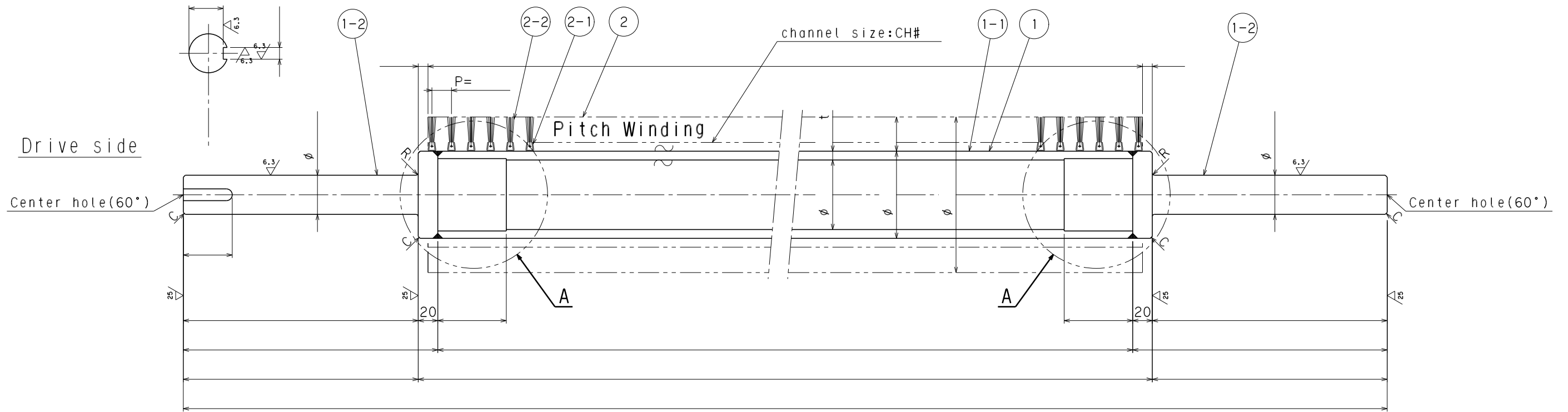


SURFACE ROUGHNESS				
Ra	25	6.3	1.6	0.2
Rmax	100S	25S	6.3S	0.8S

REV.	DATE	NOTE	DRW.



DETAIL-A

PARTS No.	PARTS NAME	Q'TY (PER SET)	MATERIAL	WEIGHT (kg)	REMARKS
2-2	BRISTLE	1set			
2-1	CHANNEL	1set			CH#
2	BRUSH	1set			
1-2	JOURNAL	2			
1-1	PIPE	1			seamless
1	SHAFT	1			

APPROVED		CUSTOMER:	
CHECKED	SCALE	TITLE SK Type Channel Roll Brushes (Pitch Winding/Pipe Shaft/Drive side 1-stepped)	
DRAWN	DATE	SCALE NTS DRAWING No.	
DATE		SHOWA INDUSTRIES CO.,LTD.	

