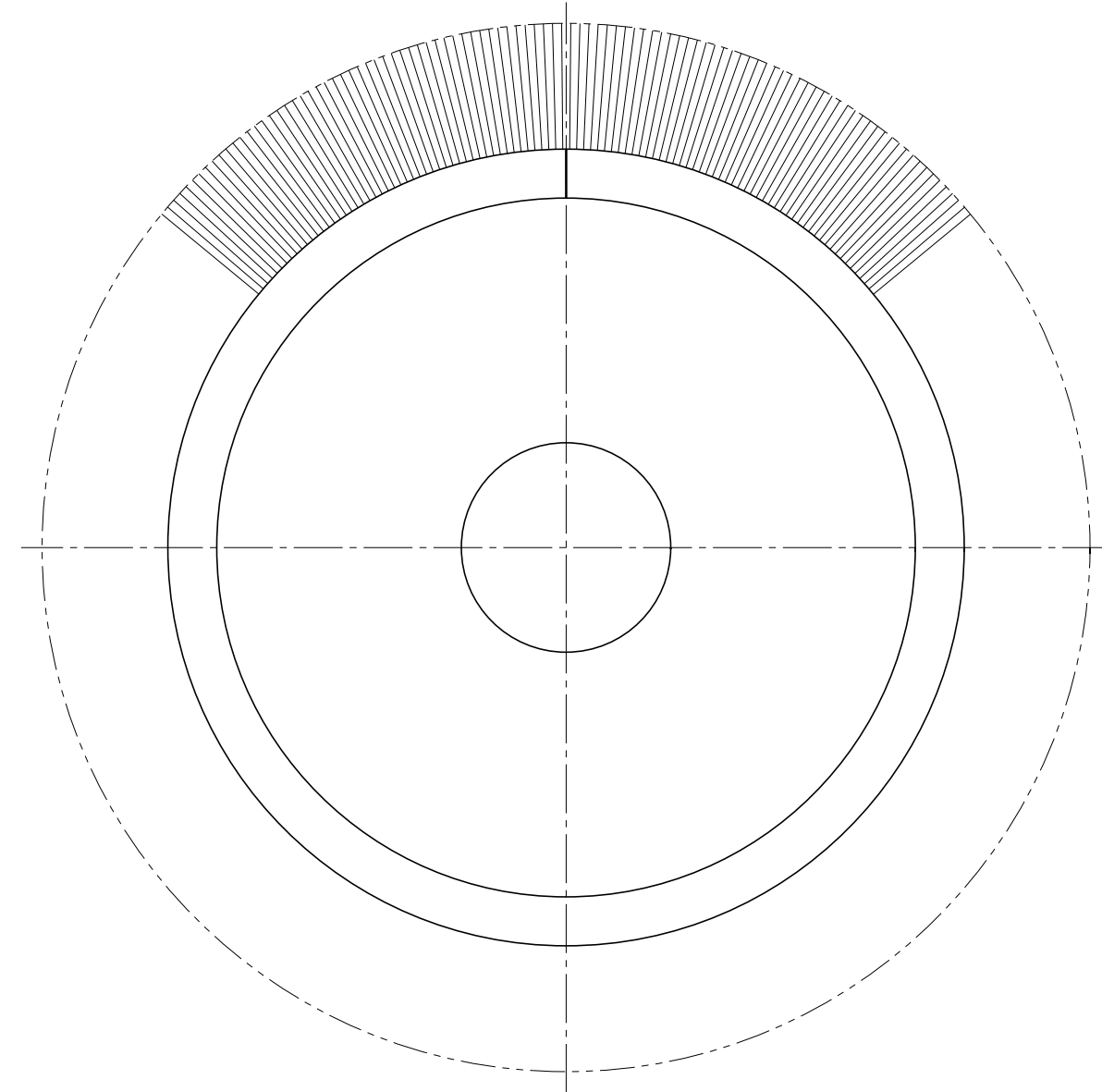
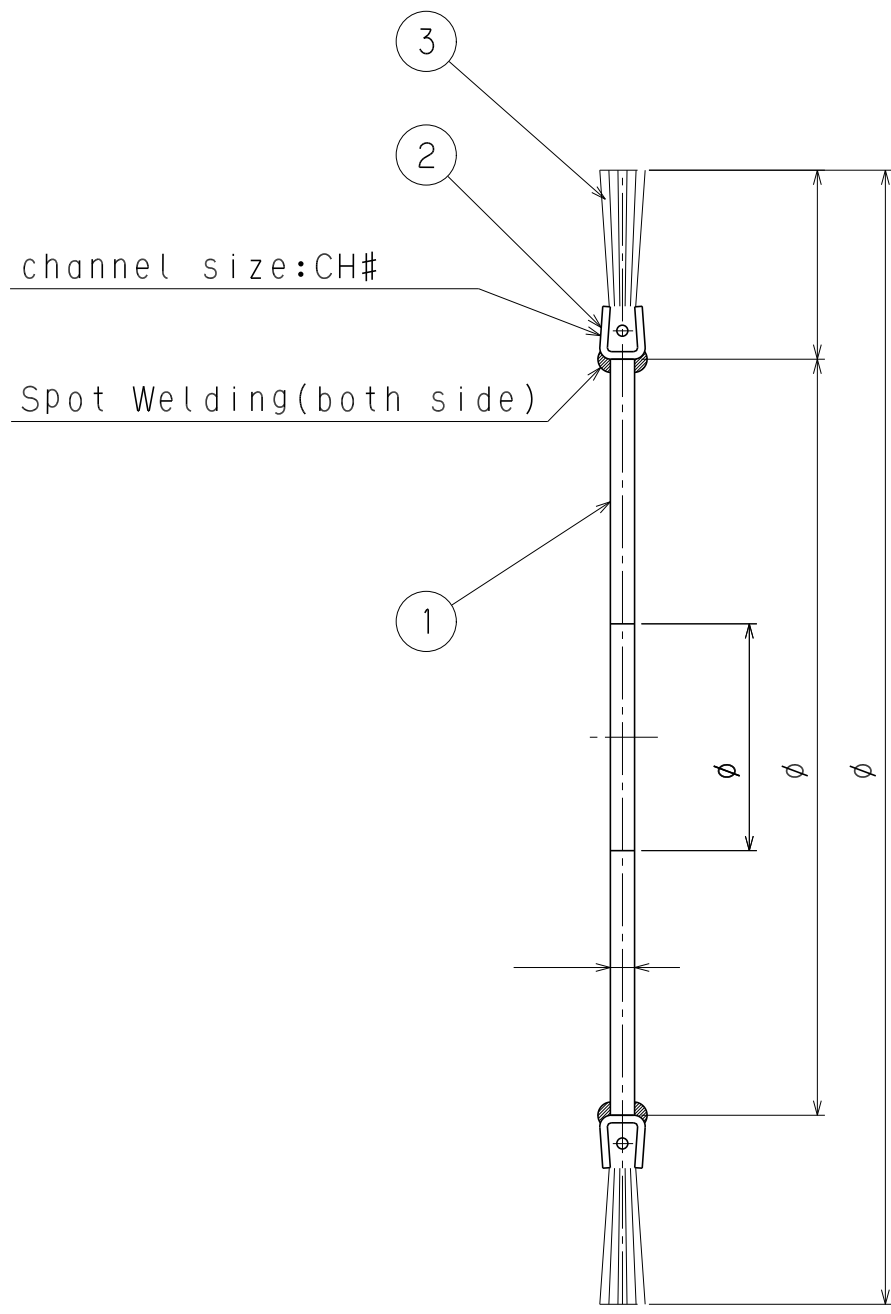


| SURFACE ROUGHNESS | | | | | | |
|-------------------|-------------|------|-----|-------|------|------|
| Ra | | 25 | 6.3 | 3.2 | 1.6 | 0.2 |
| Rmax | NONE FINISH | 100S | 25S | 12.5S | 6.3S | 0.8S |
| | | | | | | |

| REV. | DATE | NOTE | DRW. |
|------|------|------|------|
| | | | |
| | | | |



| 3 | BRISTLE | 1set | | | |
|-----------|---|----------------|----------|-------------|---------|
| 2 | CHANNEL | 1set | | | CH# |
| 1 | PLATE | 1 | | | |
| PARTS No. | PARTS NAME | Q'TY (PER SET) | MATERIAL | WEIGHT (kg) | REMARKS |
| CUSTOMER; | | | | | |
| APPROVED | TITLE SK Type Ring Brushes (with Plate) | | | | |
| CHECKED | SCALE | DRAWING No. | | | |
| DRAWN | NTS | | | | |
| DATE | SHOWA INDUSTRIES CO.,LTD. | | | | |

