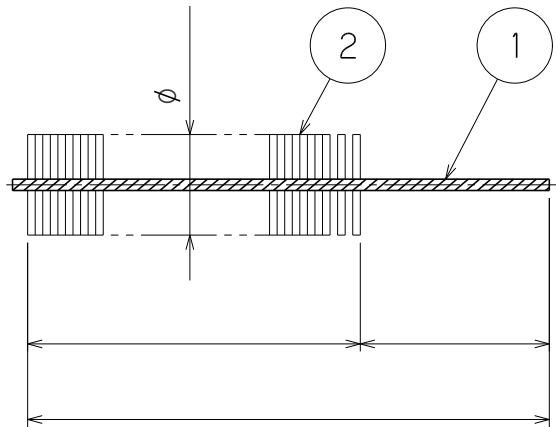
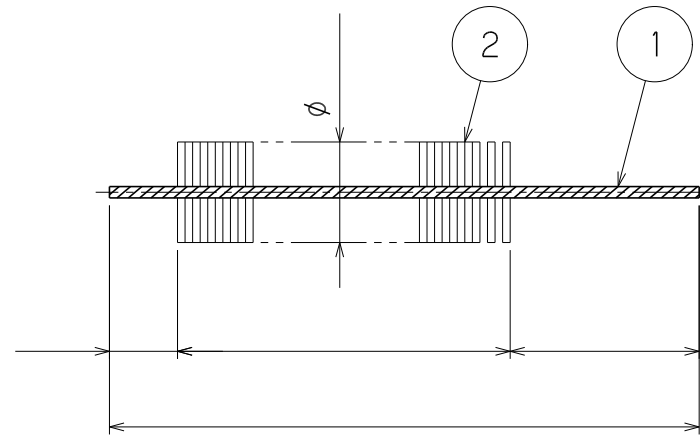
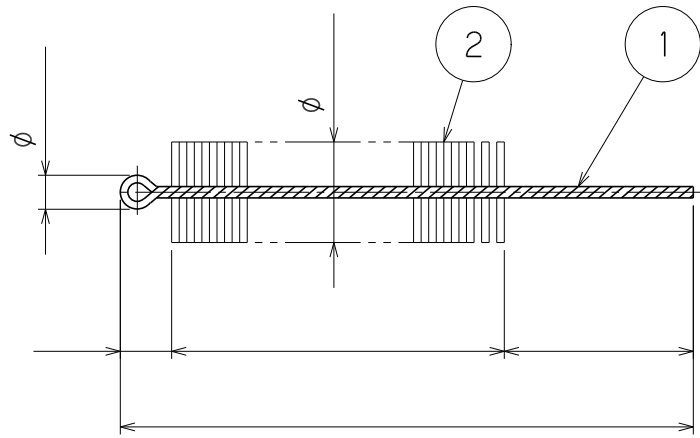


REV.	DATE	NOTE	DRW.



CORE WIRE: Iron(    ),Stainless(    )

BRISTLE: \_\_\_\_\_

TYPE : SINGLE, DOUBLE

Quantity : \_\_\_\_\_

2	BRISTLE	1set			
1	CORE WIRE	1set			
PARTS No.	PARTS NAME	Q'TY (PER SET)	MATERIAL	WEIGHT (kg)	REMARKS
CUSTOMER					
APPROVED	TITLE SK Type Twisting Brushes				
CHECKED	SCALE	DRAWING No.			
DRAWN	NTS				
DATE	<b>SHOWA INDUSTRIES CO.,LTD.</b>				

