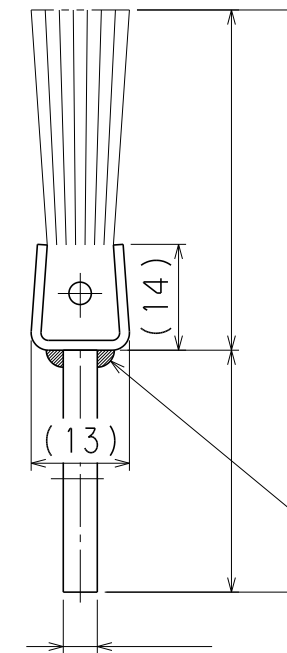
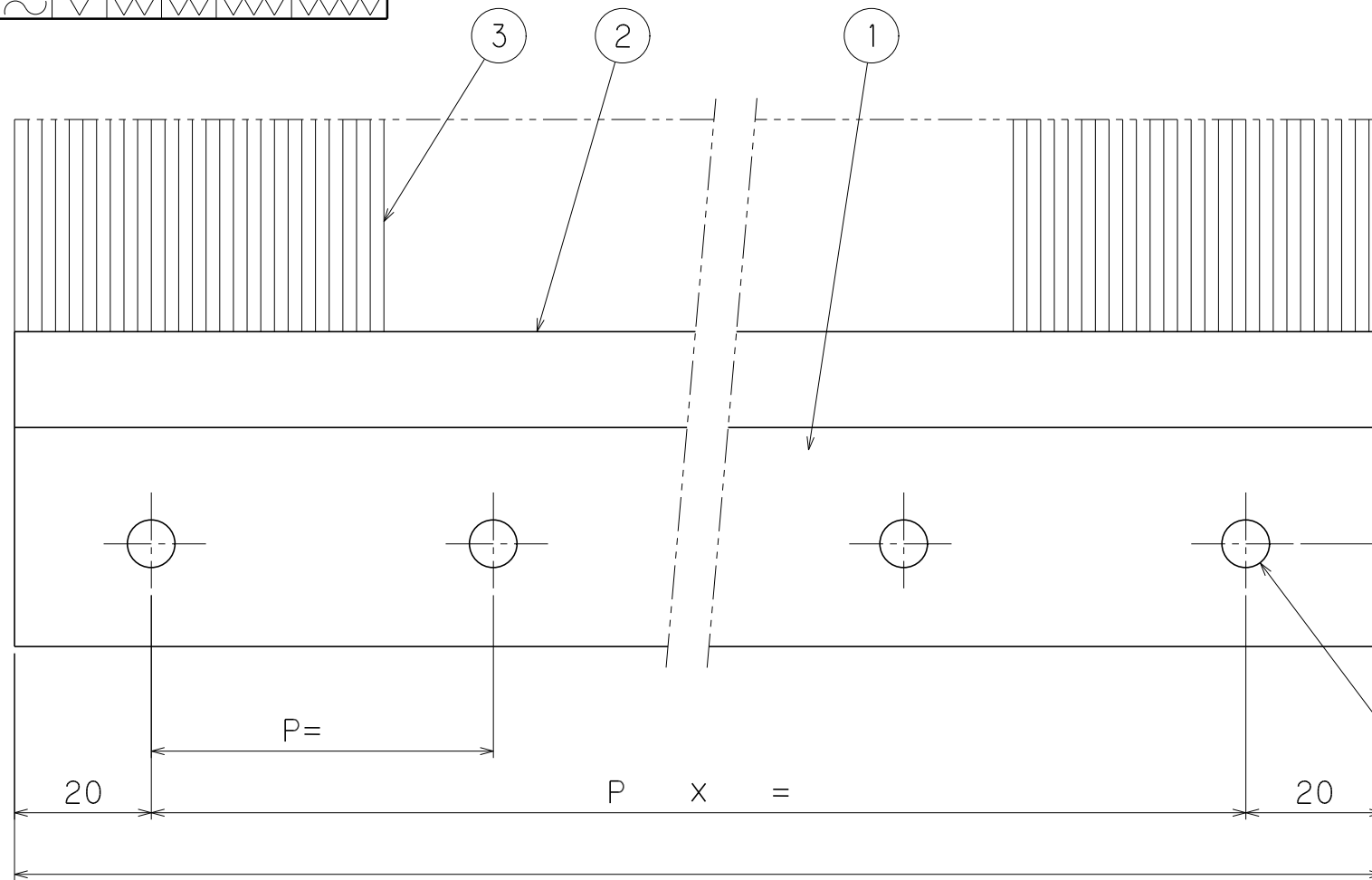
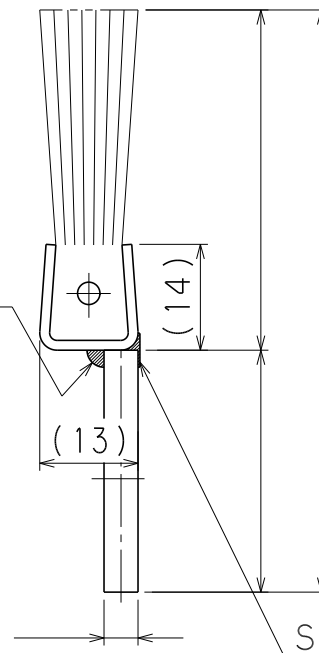


SURFACE ROUGHNESS						
Ra		25	6.3	3.2	1.6	0.2
Rmax	NONE FINISH	100S	25S	12.5S	6.3S	0.8S

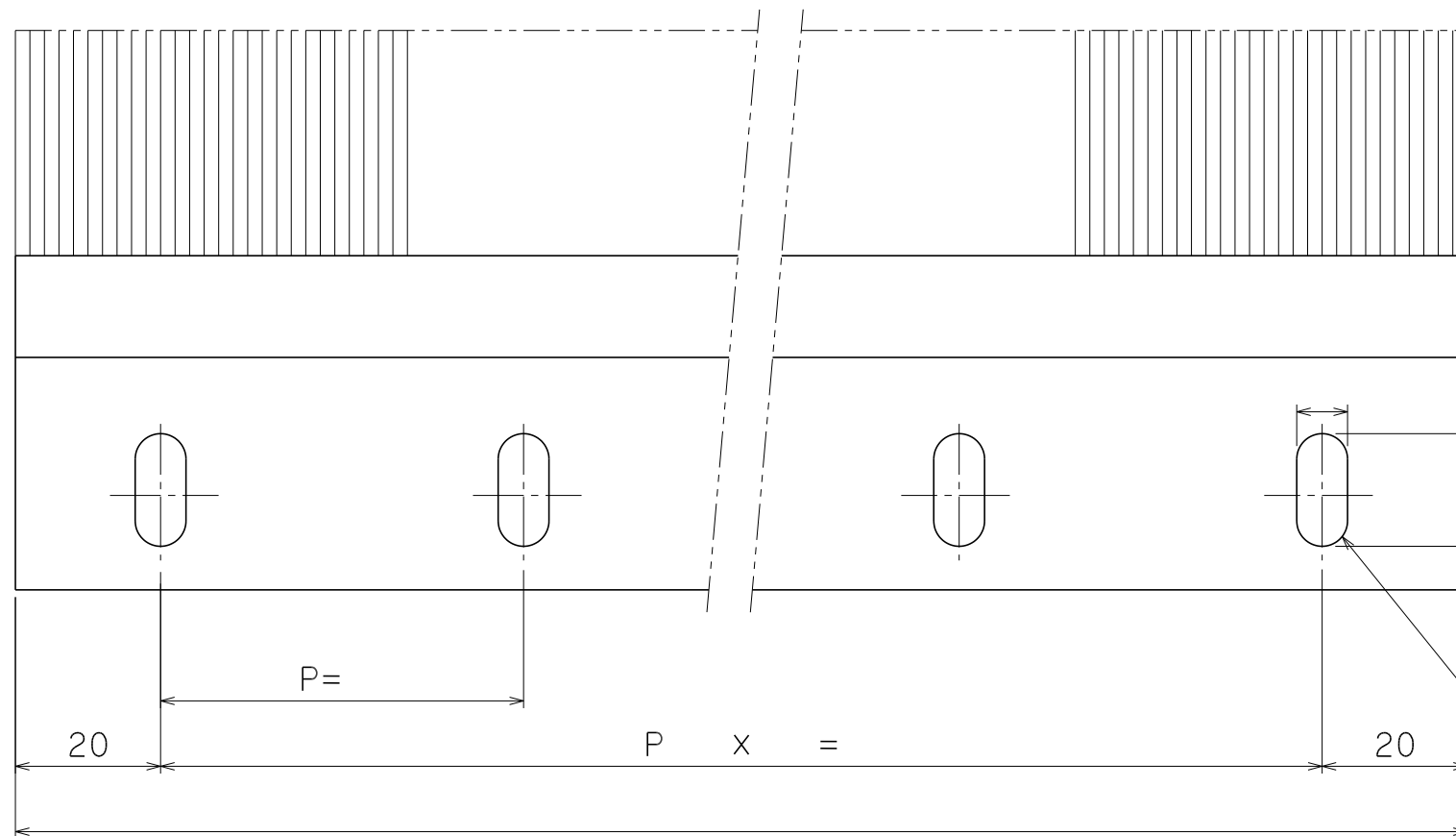
REV.	DATE	NOTE	DRW.



Spot Welding  
(both side)

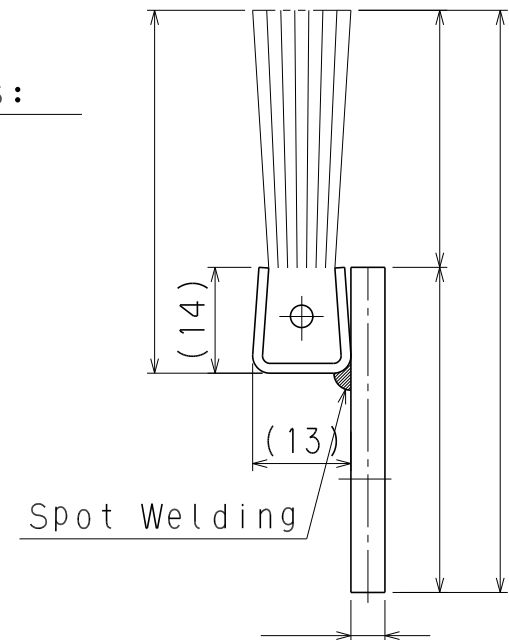


Spot Welding  
(after grinder finishing)



Number of holes:

Number of holes:



Spot Welding

3	BRISTLE	1set			
2	CHANNEL	1set			CH#13
1	PLATE	1			
PARTS No.	PARTS NAME	Q'TY (PER SET)	MATERIAL	WEIGHT (kg)	REMARKS
CUSTOMER;					
APPROVED	TITLE SK Type Strip Brushes(CH#13) (with Plate-I Type)				
CHECKED	SCALE	DRAWING No.			
DRAWN	NTS				
DATE	<b>SHOWA INDUSTRIES CO.,LTD.</b>				

