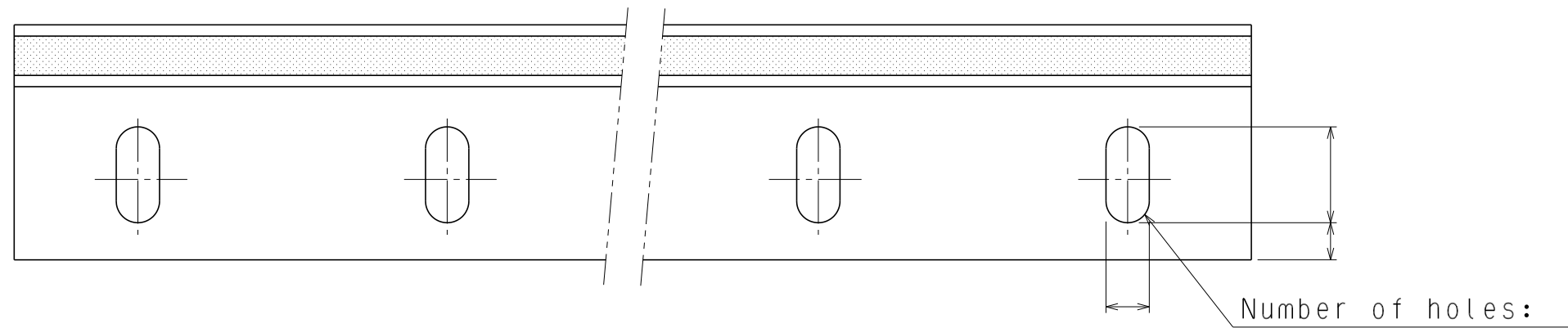
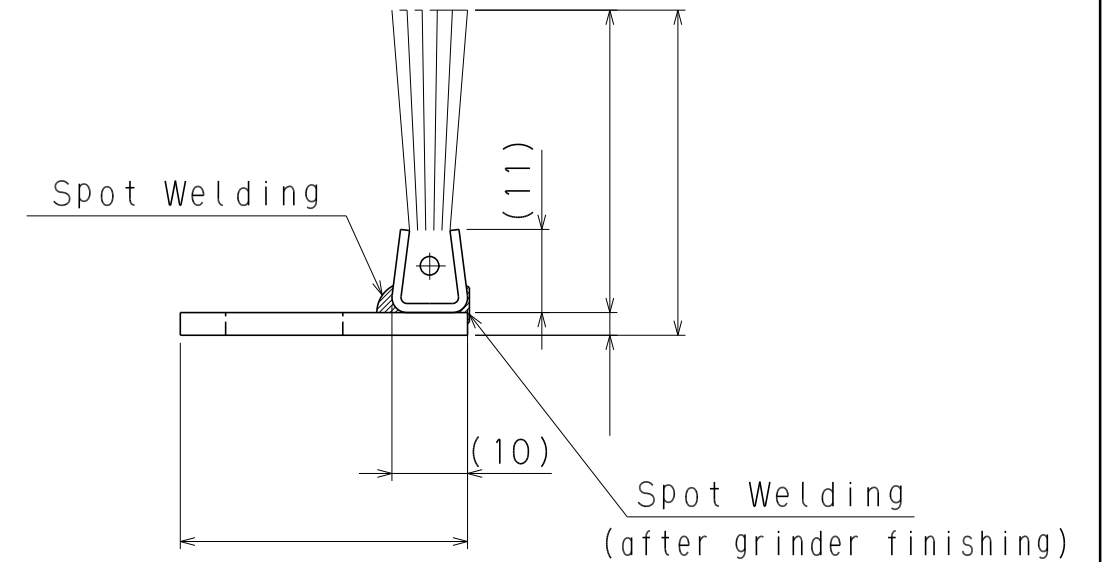
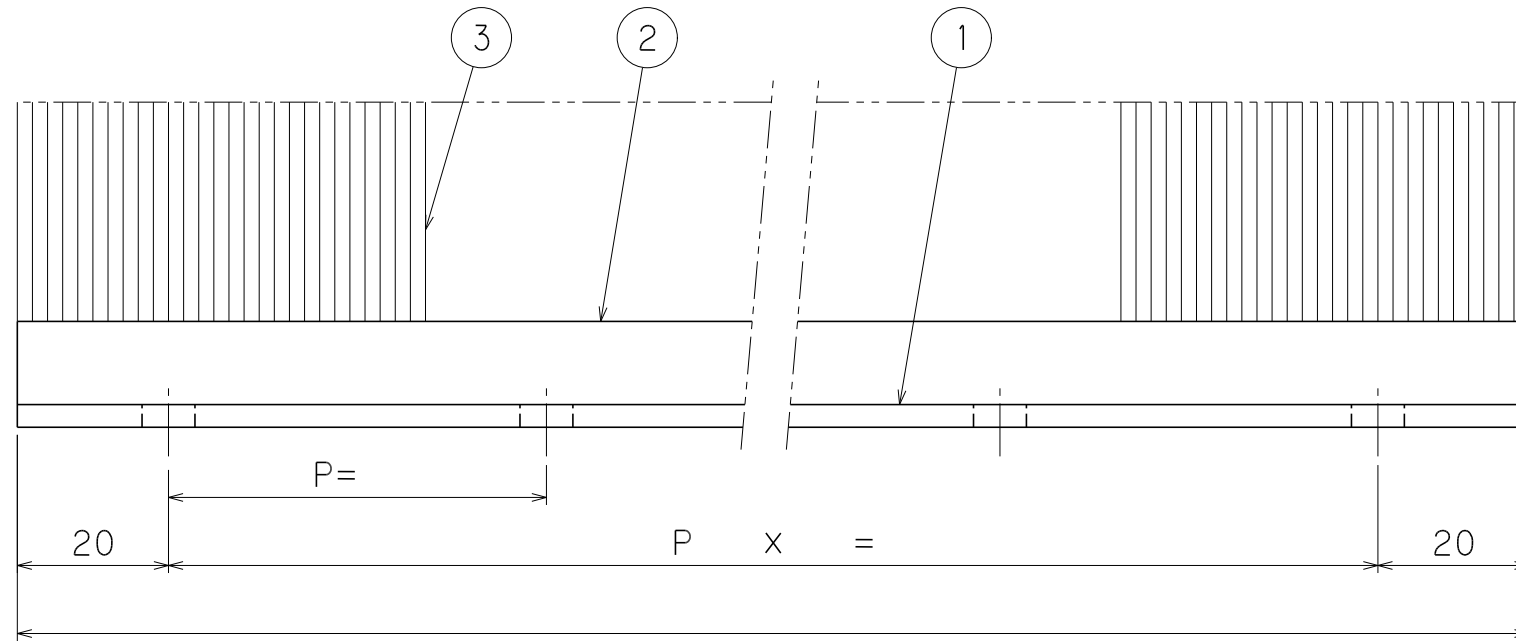


SURFACE ROUGHNESS						
Ra		25	6.3	3.2	1.6	0.2
Rmax	NONE FINISH	100S	25S	12.5S	6.3S	0.8S

REV.	DATE	NOTE	DRW.



3	BRISTLE	1set			
2	CHANNEL	1set			CH#10
1	PLATE	1			
PARTS No.	PARTS NAME	Q'TY (PER SET)	MATERIAL	WEIGHT (kg)	REMARKS

APPROVED		CUSTOMER;			
CHECKED		TITLE SK Type Strip Brushes(CH#10) (with Plate-L Type)			
DRAWN		SCALE	DRAWING No.		
DATE		NTS			
SHOWA INDUSTRIES CO.,LTD.					

