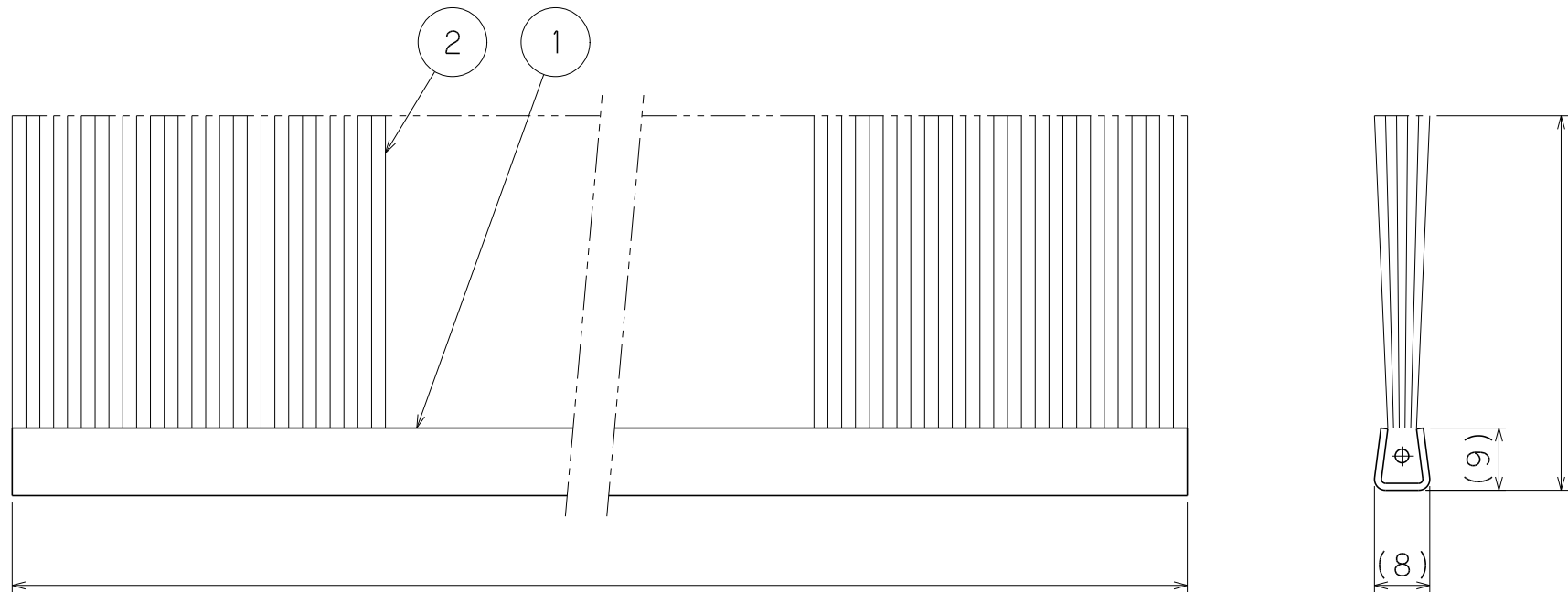


REV.	DATE	NOTE	DRW.



2	BRISTLE	1set			
1	CHANNEL	1set			CH#8
PARTS No.	PARTS NAME	Q'TY (PER SET)	MATERIAL	WEIGHT (kg)	REMARKS
CUSTOMER					
APPROVED	TITLE SK Type Strip Brushes(CH#8)				
CHECKED	SCALE	DRAWING No.			
DRAWN	NTS				
DATE	<b>SHOWA INDUSTRIES CO.,LTD.</b>				

