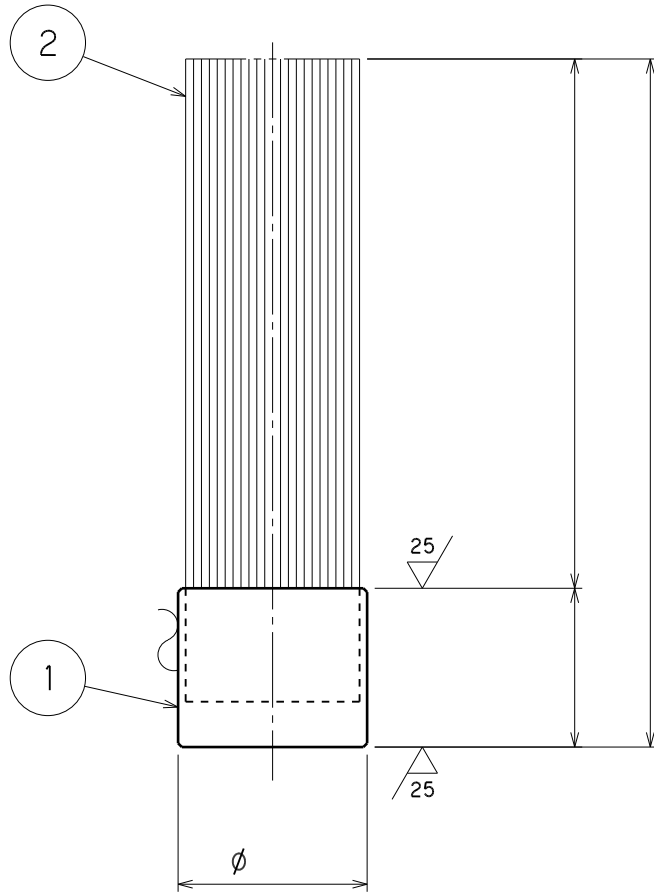


REV.	DATE	NOTE	DRW.



2	ブラシ毛材	1式			
1	ケーシング	1			
PARTS No.	PARTS NAME	Q'TY (PER SET)	MATERIAL	WEIGHT (kg)	REMARKS
CUSTOMER					
APPROVED	TITLE SK型筒型ブラシ				
CHECKED	SCALE	DRAWING No.			
DRAWN	NTS				
DATE	SHOWA INDUSTRIES CO.,LTD.				

